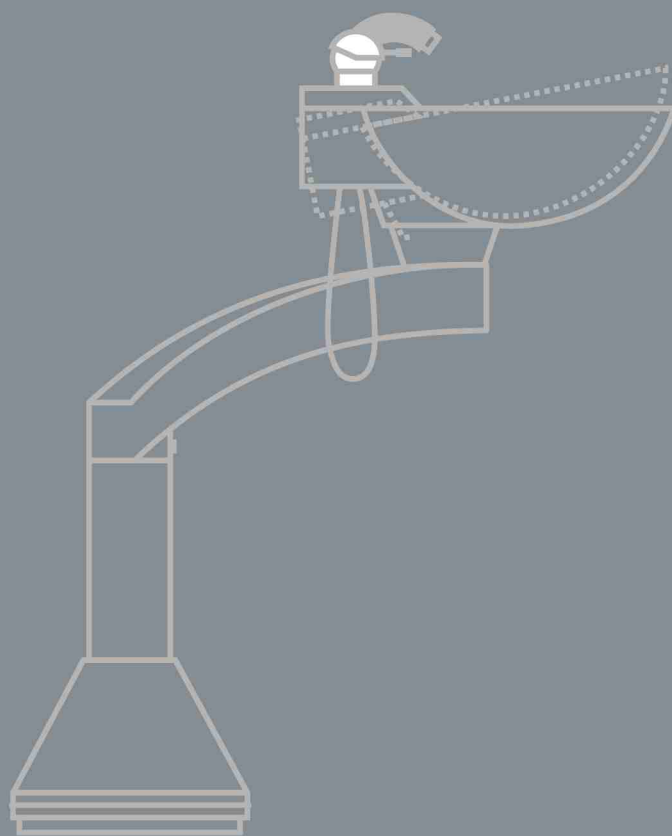
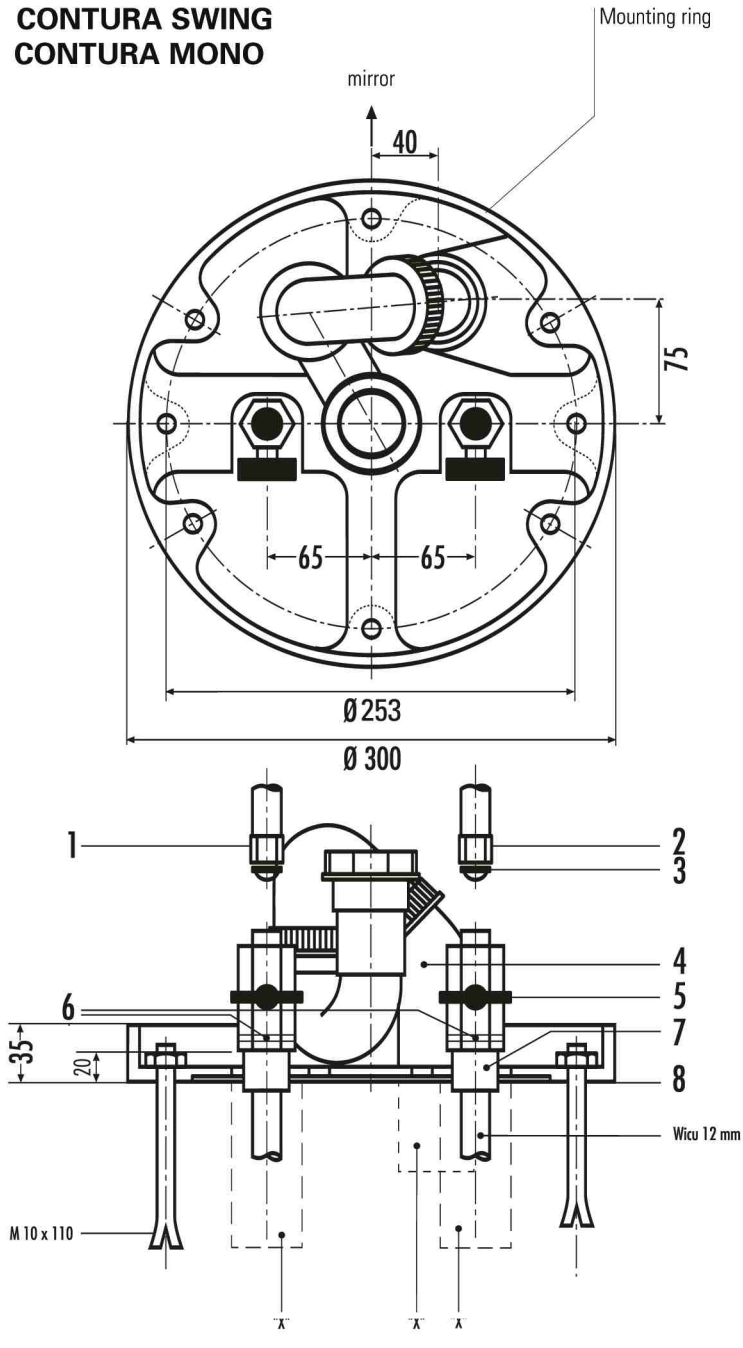


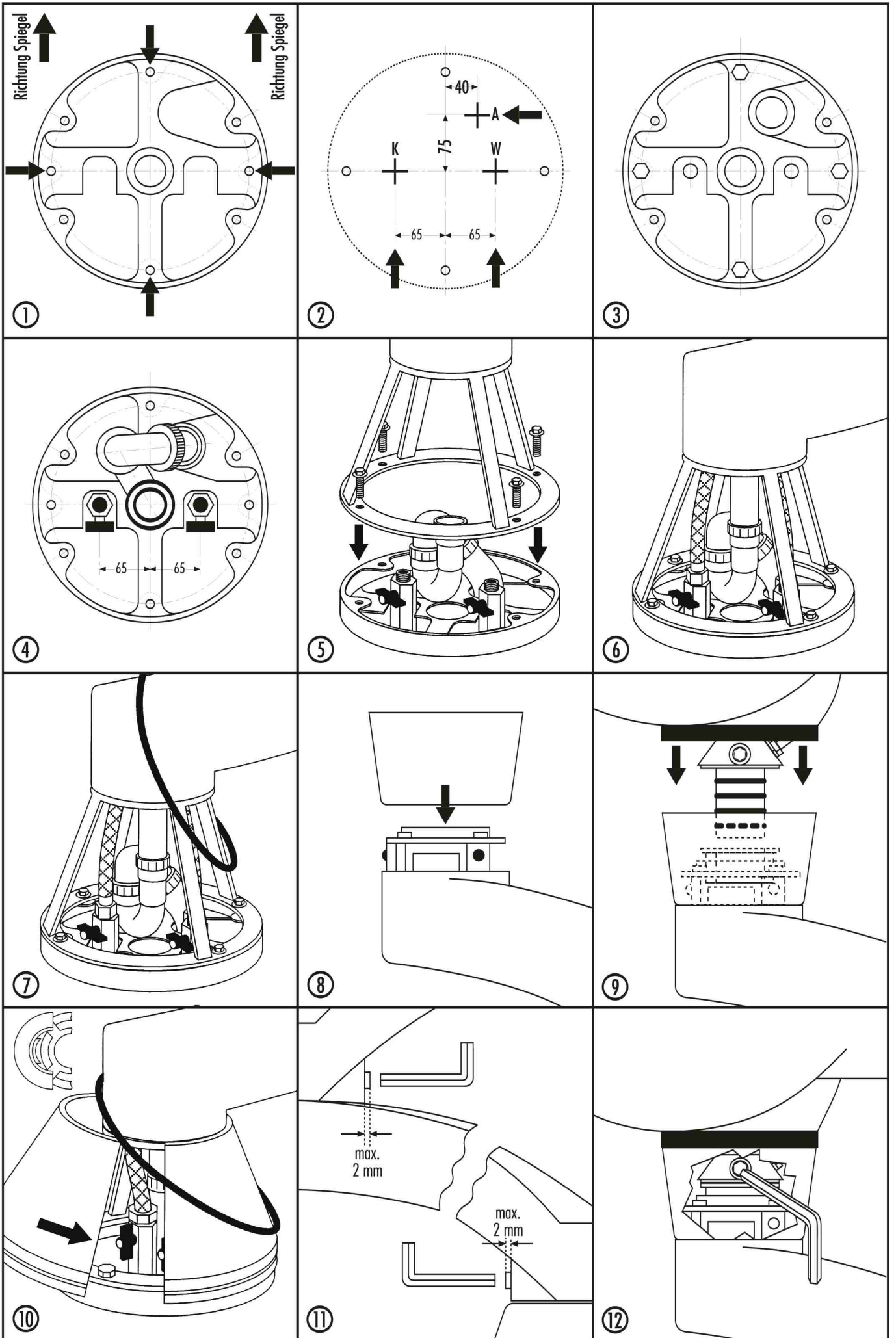
Floor fitting
CONTURA SWING
CONTURA MONO



**CONTURA SWING
CONTURA MONO**



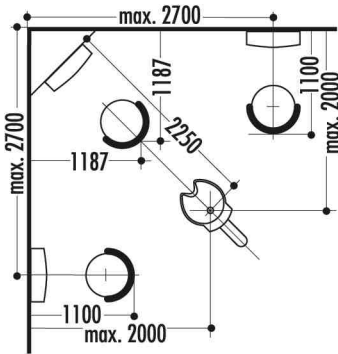
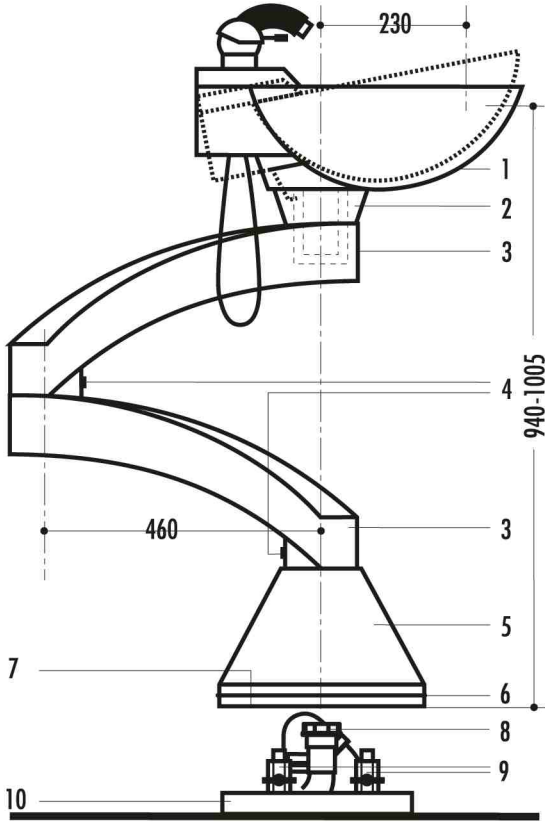
1. Blue/cold
 2. Red/hot
 3. Sieving gasket
 4. 40 mm Pipe stretch trap
 5. Stop cocks
 6. Fiber gasket 18,8x13,0x2,0
 7. Connecting thread outside R 1/2" for reducer
 8. Surface floor incl. Floor covering
- "X": 3 x Opening in floor for feeding and drainage



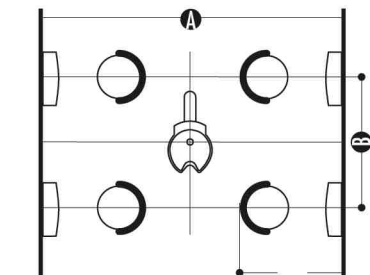
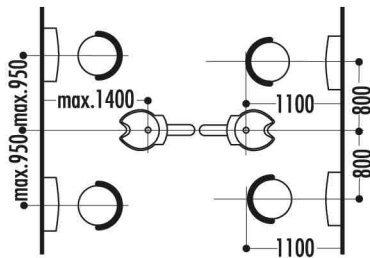
CONTURA SWING



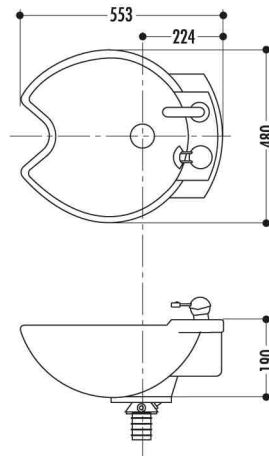
1. Wash basin with mixing battery
2. Covering bush
3. Tilting arm
4. Hinge brake
5. Plastic basin
6. Covering rubber
7. Serial number
8. Pipe stretch trap
9. Stop cocks
10. Mounting ring



Samples for seat distribution.



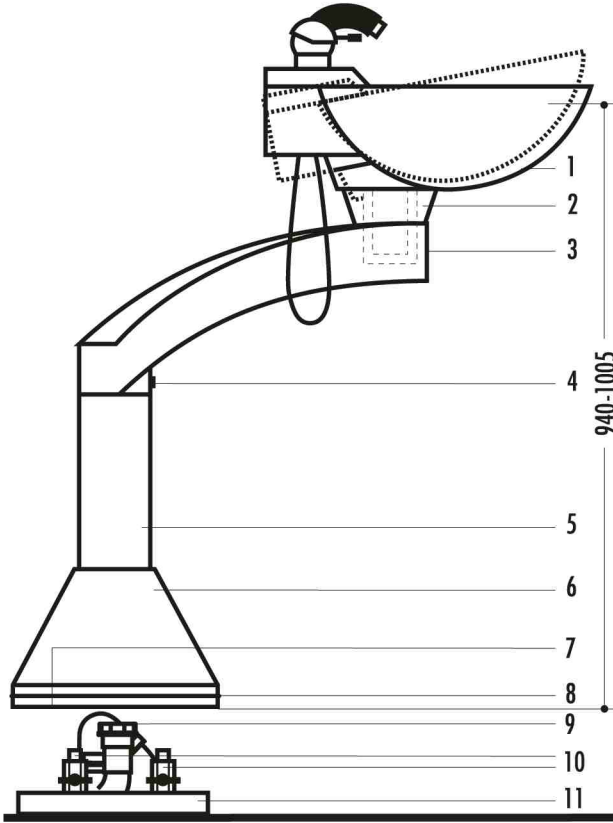
A	B
4000 max.	1200 max.
3800	1400
3600	1600



The dimensions listed are only recommendations and are not legally binding.

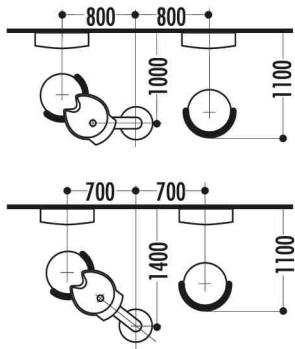
Technical modifications and variations in dimensions reserved.

CONTURA MONO



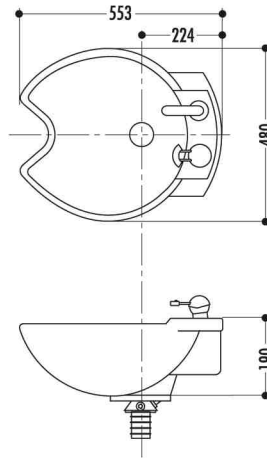
GB

1. Wash basin with mixing battery
2. Covering bush
3. Tilting arm
4. Hinge brake
5. Column
6. Plastic basin
7. Serial number
8. Covering rubber
9. Pipe stretch trap
10. Stop cocks
11. Mounting ring



Samples for seat distribution.

Chairs must be slewable.



The dimensions listed are only recommendations and are not legally binding.

Technical modifications and variations in dimensions reserved.

MOUNTING INSTRUCTIONS FOR THE PLUMBER

Important: First read this attentively and then start assembling. Establish the exact position in the saloon together with the proprietor and the furnishing specialist.

Depending on the room available in the saloon and the preferred way of working there is a choice of several arrangements. Depending on the number and distances of the single working places use the slewing range chart pertaining thereto. There you'll find all the dimensioning required. (arrow: direction of mirror)

- ① Place **Mounting ring** on established position. Use mounting ring as template for drilling holes.
- ② Drill **holes** for **K** cold, **W** hot and **A** drain water as well as for the fixing to the floor. Direction of mirror: Left cold, right hot..
- ③ Align mounting ring by water level and anchor with rag bolts. (protuberanting max. 30 mm over finished floor).
- ④ Lead **pipes R 1/2"** for hot and cold water as well as **40 mm** for sewerage through floor. Screw down cold- and hot- water tap **only by means of the enclosed gaskets** with the pipe R 1/2" through the bottom ring. Distance of the taps from center 65 mm to be born in mind. Dimension in height of the cold-/hot water pipes max. 50 mm above finished floor.

After having checked the installation, grout in both pipes R 1/2" and drain water line to secure them against twisting.

Pressure test of installation with 8 bar. Set water pressure to 3 - 5 bar. After the end of the installation work absolutely rinse the water conduit. In case of several installations a central regulating tap ist required. Same must be easily accessible from the saloon.

The mounting instructions are for the connection of one installation only. In case of several installations the pipe cross section must be extended correspondingly.

Important: At water pressure over 5 bar same must be regulated by a pressure reducing valve. Since for water boilers a pressure reducing is being used, same may as well be applied to the general water supply. In **order to avoid fluctuations of temperature**, quantity of water and water pressure for hot **and** cold water must be identical.

Temperature:

maximum **70°C** (hot water inlet)

recommended **60°C** (energy saving)

Information for the proprietor:

Until here the plumber must install the installation, test it and warrant for it. For any troubles here the plumber is responsible. The manufacturer doesn't take over any responsibility for this job.



MOUNTING INSTRUCTIONS FOR THE FIXTURE INSTALLER

- ⑤ Put **Washing installation onto mounting ring and fasten** by means of the 4 screws M 10 x 25 with washers supplied, greased.
- ⑥ Connect **universal tube siphon** with sewerage and the sewage system of the installation. Hot water tube (red) and cold water tube to be screwed up with the corresponding sewerage tap with sieve gasket. At that don't twist the shut-off taps and pressure pipes.
- ⑦ Lead rubber protecting ring over swivel arm.
- ⑧ Put on **covering bush by slight pressure**.
- ⑨ Introduce **basin** by means of pivot under slight swivelling movement vertically into the pivot housing. **Attention: Tilt by no means!** Shut off mixing battery. Open stop cocks on cone base and test for tightness with closed mixing battery. Control of mixed water: hot and cold water inlet must correspond with the color symbols on the mixing battery.
- ⑩ **Mounting of the plastic basin.** Put the two half shells around the conical foot and lead them together, at that push the rubber protecting ring over the half shells downward into the ring groove.
- ⑪ For the **exact adjustment** of the required easy-running of the slewing arm the Contura Swing, depending on the type, has been provided with one or two hinge brakes. For adjusting the brake 1/4 to 1/2 revolution with a 6 mm Allan key is sufficient. Turning right: heavier going, turning left: easier going.
- ⑫ **Tilting mechanism:** The washing installation is provided with a tiltable basin. By tilting the neck cutout, height may be adjusted. The tilting mechanism may be readjusted through a drillhole in the covering bush by means of a 6 mm Allan key.
Right-hand rotation: tighter, left-hand rotation: smoother.

Repeat control of the entire installation. Instruct the operating personnel in the technique and function.

Information for the proprietor:

For this installation work the fixture installer must warrant. The manufacturer of the installation doesn't give any warranty for this work.

Shut stop taps after the end of the work!